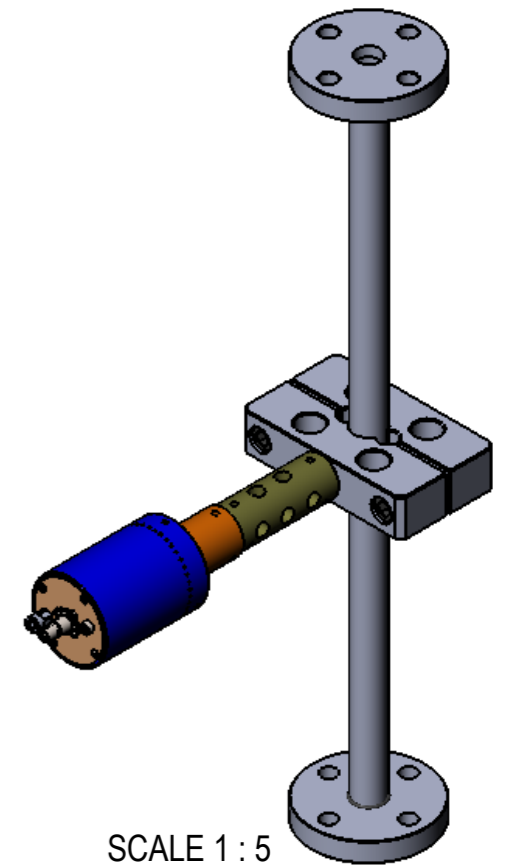
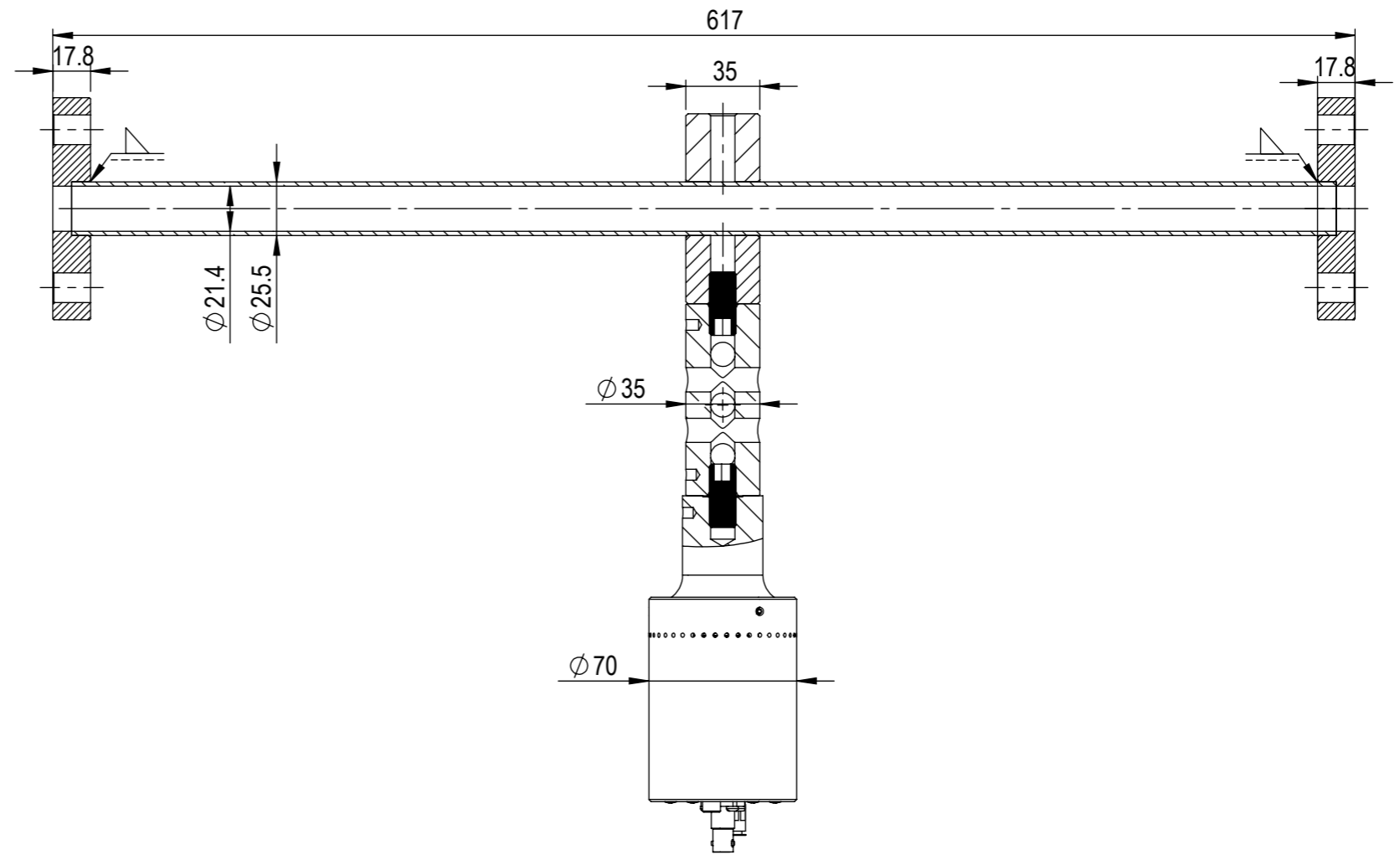
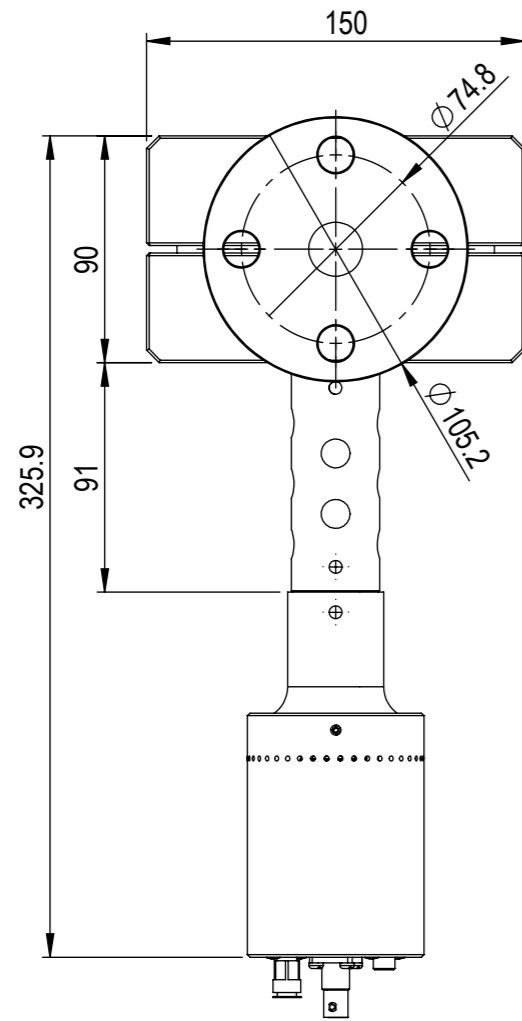


Enable 3D View

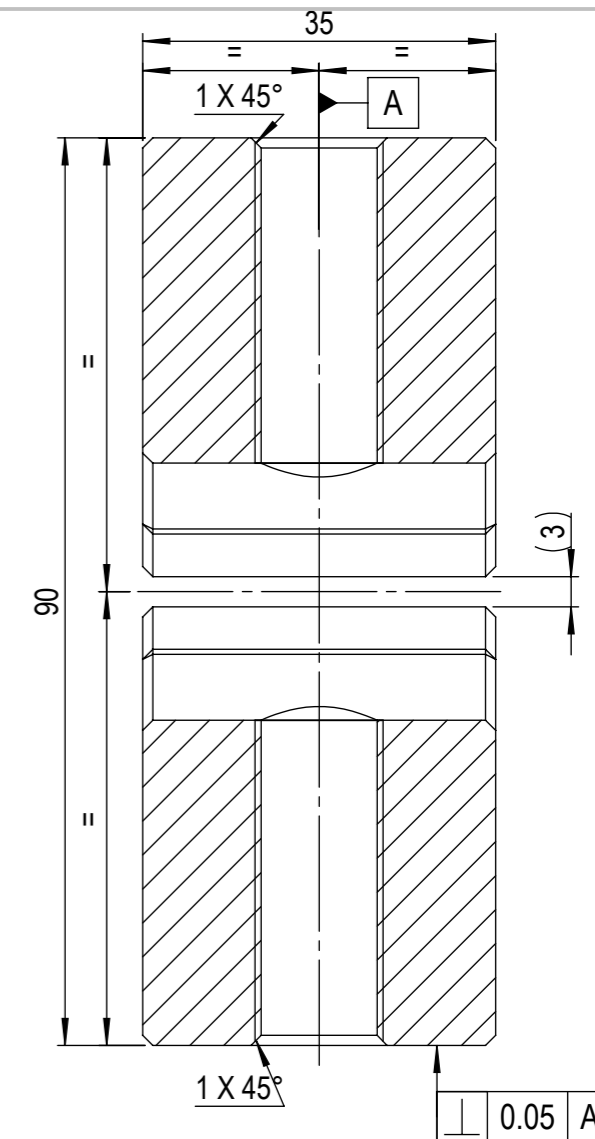
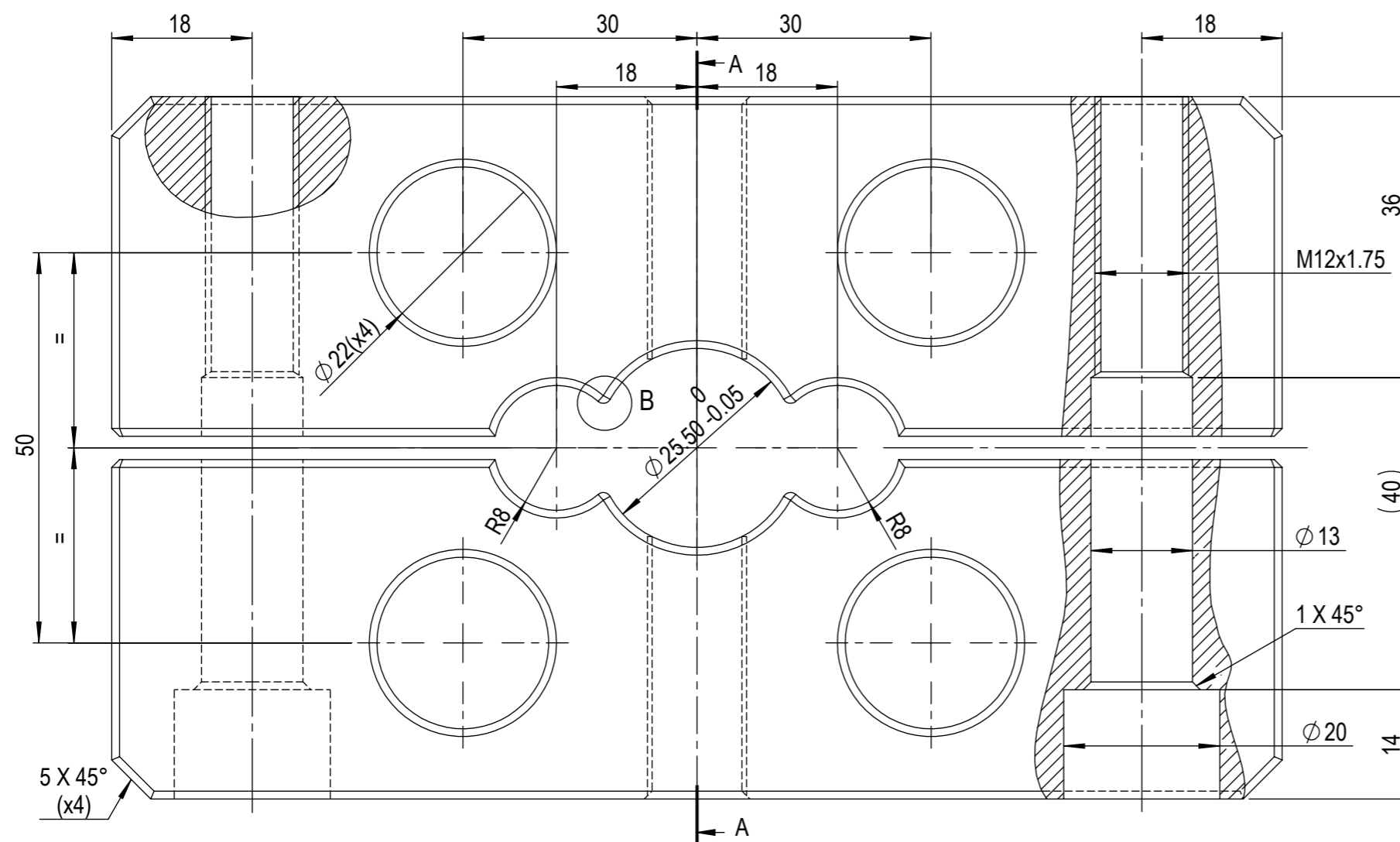
Enable 3D View



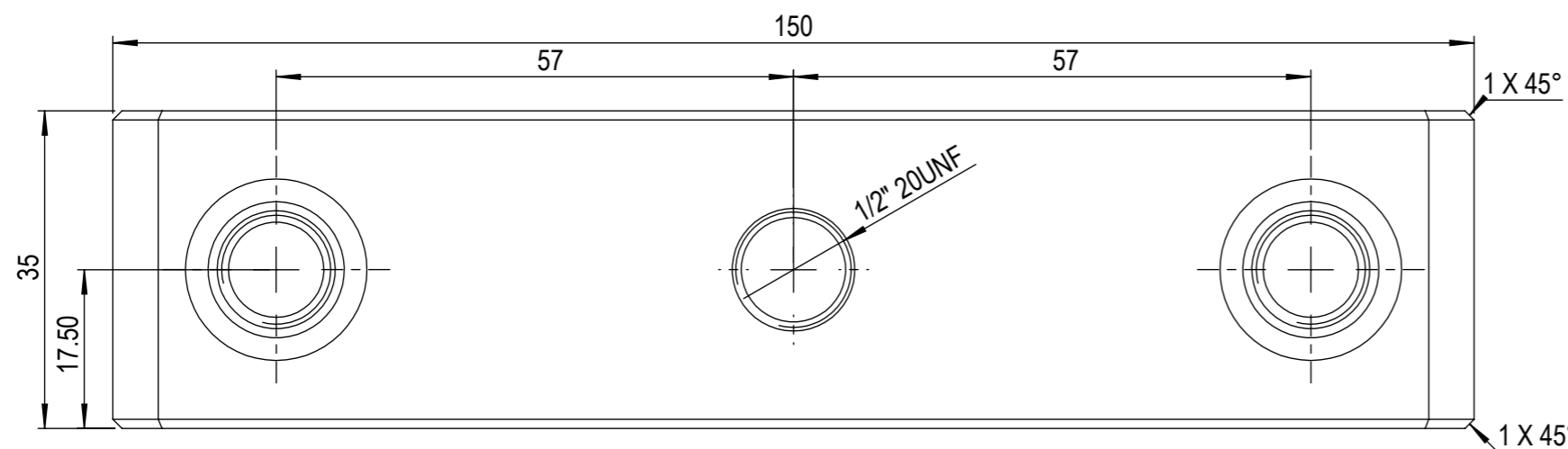
SCALE 1 : 5

PROJECT DIRECTOR M.Prokic	DATE 22.05.2014	DEBUR AND BREAK SHARP EDGES	DO NOT SCALE DRAWING	REVISION					
drew H. Puga	DATE MODIFY 26.05.2014		MPI-ULTRASONICS MARAIS 36 2400 Le Locle Switzerland e-mail : mpi@mpi-ultrasonics.com phone +41 (0) 32 9314045						
MATERIAL:									
General tolerance SN 258440			Umicore Clamp - On						
dimension nominale (mm)	>3 ...6	>6 ...30			>30 ...120	>120 ...400	>400 ...1000	>1000 ...2000	
Ecart (mm)	± 0.05	± 0.1	± 0.15	± 0.2	± 0.3	± 0.5	SCALE: 1:1	SHEET 1 OF 1	A3

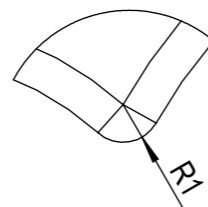
Enable 3D View



SECTION A-A
SCALE 2 : 1.5



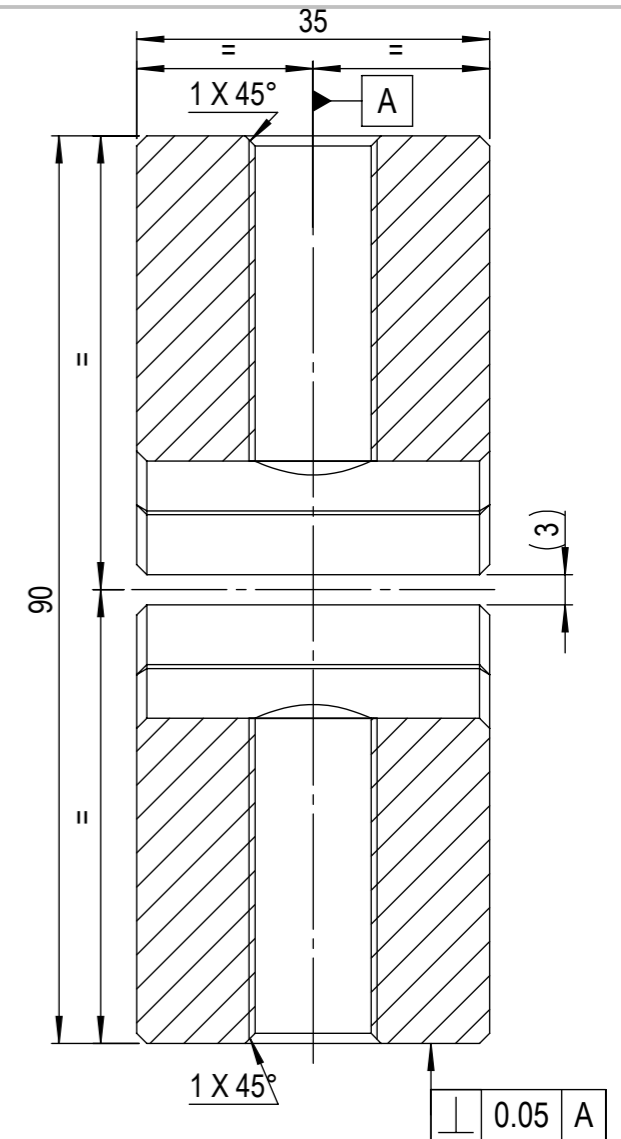
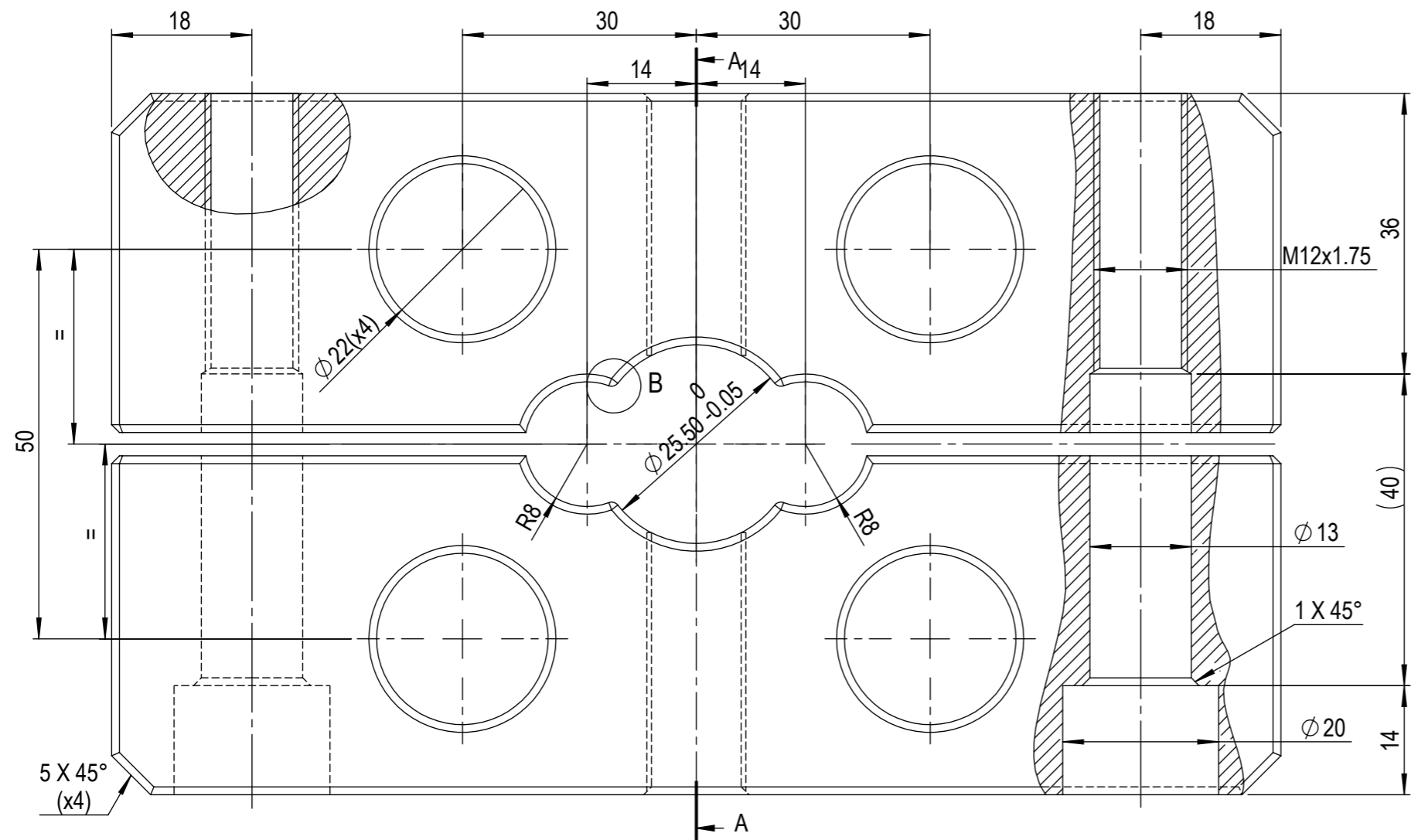
SCALE 2 : 1.5



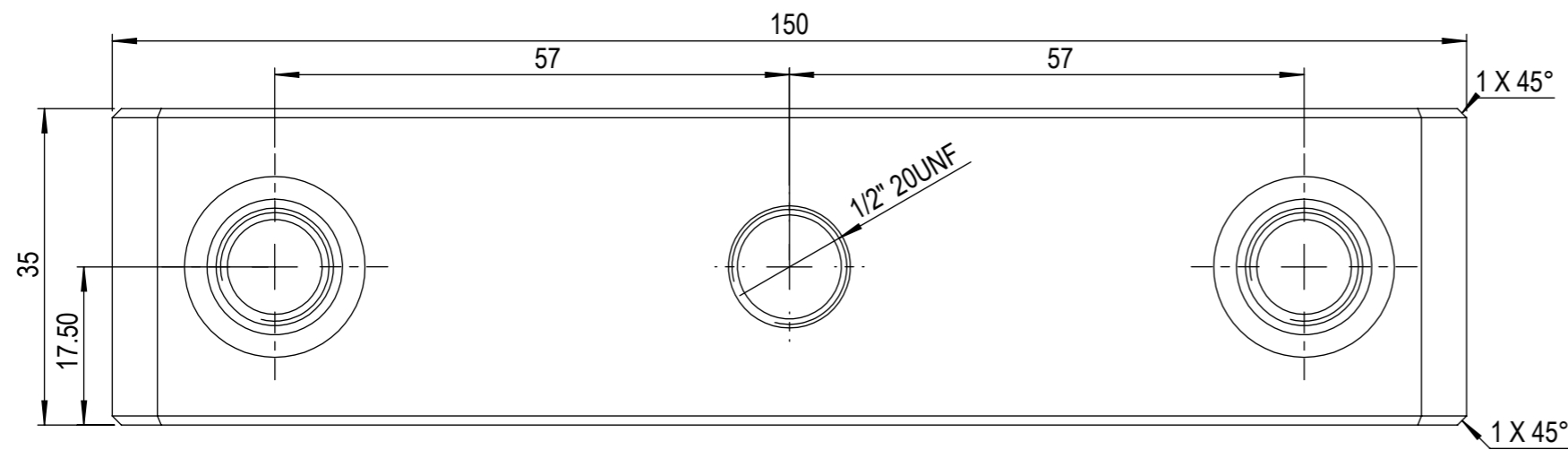
DETAIL B
SCALE 5 : 1

general angle 0,3...0,5 ∇ N8 Ra 0,8

PROJECT DIRECTOR M.Prokic	DATE 22.05.2014	DEBUR AND BREAK SHARP EDGES	DO NOT SCALE DRAWING	REVISION			
drew H. Puga	DATE MODIFY		MPI-ULTRASONICS MARAIS 36 2400 Le Locle Switzerland e-mail : mpi@mpi-ultrasonics.com phone +41 (0) 32 9314045				
MATERIAL: SS316L							
General tolerance SN 258440							
dimension nominale (mm)	>3 ...6	>6 ...30	>30 ...120	>120 ...400	>400 ...1000	>1000 ...2000	Pipe Clamp OD25.5x35mm SCALE: 1:1 SHEET 1 OF 1 A3
Ecart (mm)	± 0.05	± 0.1	± 0.15	± 0.2	± 0.3	± 0.5	

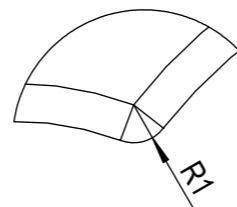


SECTION A-A
SCALE 2 : 1.5



SCALE 2 : 1.5

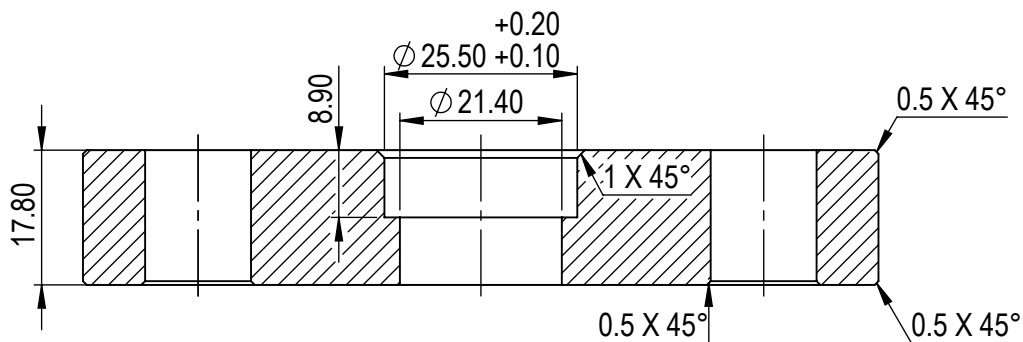
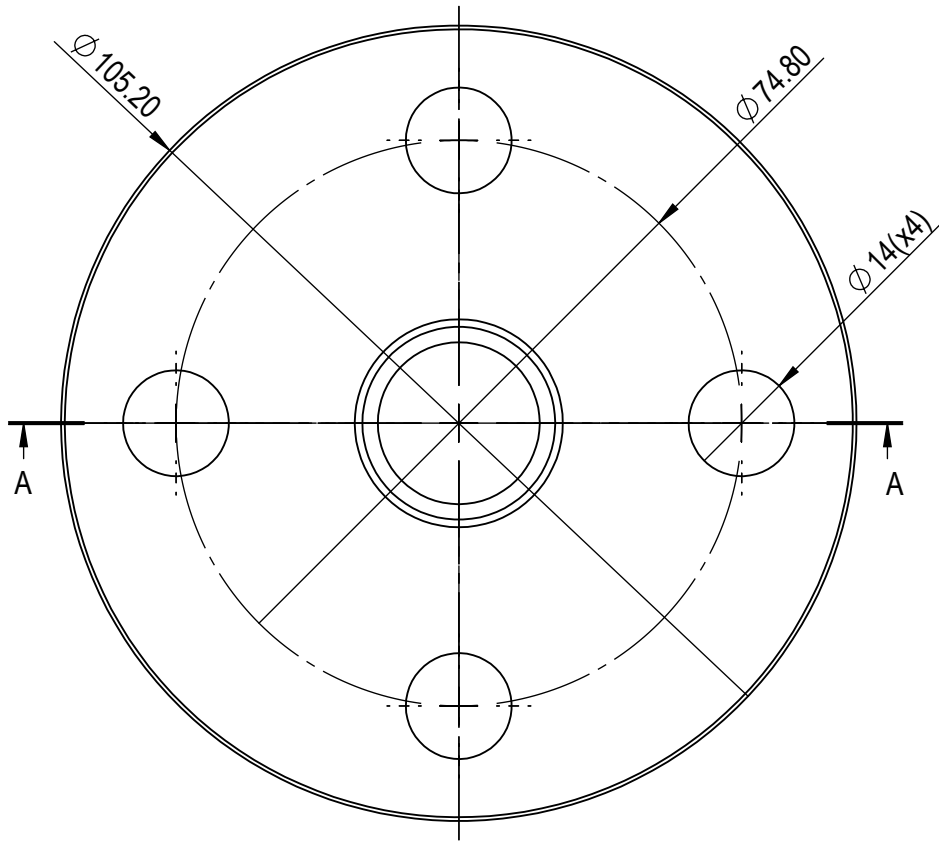
general angle 0,3...0,5 ∇ N8 Ra 0,8



DETAIL B
SCALE 5 : 1

PROJECT DIRECTOR M.Prokic	DATE 22.05.2014	DEBUR AND BREAK SHARP EDGES	DO NOT SCALE DRAWING	REVISION				
drew H. Puga	DATE MODIFY		MPI-ULTRASONICS MARAIS 36 2400 Le Locle Switzerland e-mail : mpi@mpi-ultrasonics.com phone +41 (0) 32 9314045					
MATERIAL: Al7075								
General tolerance SN 258440								
dimension nominale (mm)	>3 ...6	>6 ...30	>30 ...120	>120 ...400	>400 ...1000	>1000 ...2000	Pipe Clamp OD25.5x35mm	
Ecart (mm)	± 0.05	± 0.1	± 0.15	± 0.2	± 0.3	± 0.5	SCALE: 1:1	SHEET 1 OF 1
							A3	

Enable 3D View

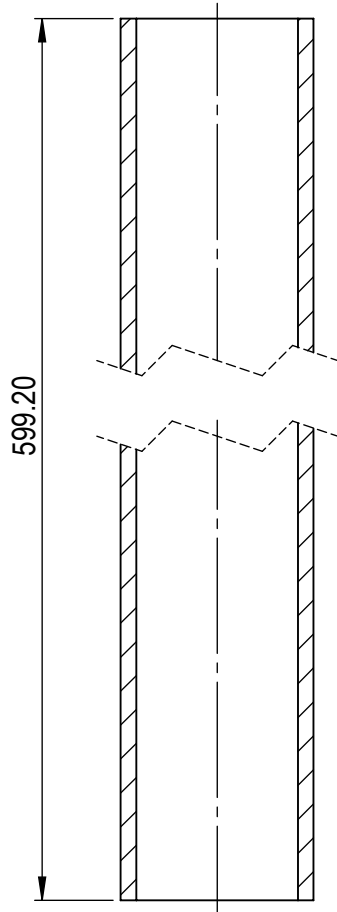
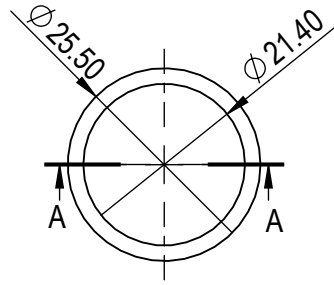


N8 / Ra 3.2

general angle 0,3...0,5

PROJECT DIRECTOR M.Prokic	DATE 27.05.2014	DEBUR AND BREAK SHARP EDGES	DO NOT SCALE DRAWING	REVISION					
drew H. Puga	DATE MODIFY		MPI-ULTRASONICS MARAIS 36 2400 Le Locle Switzerland e-mail : mpi@mpi-ultrasonics.com phone +41 (0) 32 9314045						
MATERIAL: SS									
General tolerance SN 258440									
dimension nominale (mm)	>3 ...6	>6 ...30	>30 ...120	>120 ...400	>400 ...1000	>1000 ...2000	Flanges		
Ecart (mm)	± 0.05	± 0.1	± 0.15	± 0.2	± 0.3	± 0.5	SCALE: 2:1	SHEET 1 OF 1	A4

Enable 3D View



SECTION A-A
SCALE 1 : 1

N8/Ra 3.2

general angle 0,3...0,5

PROJECT DIRECTOR M.Prokic	DATE 27.05.2014	DEBUR AND BREAK SHARP EDGES	DO NOT SCALE DRAWING	REVISION				
drew H. Puga	DATE MODIFY		MPI-ULTRASONICS MARAIS 36 2400 Le Locle Switzerland e-mail : mpi@mpi-ultrasonics.com phone +41 (0) 32 9314045					
MATERIAL: 1.4571								
General tolerance SN 258440								
dimension nominale (mm)	>3 ...6	>6 ...30	>30 ...120	>120 ...400	>400 ...1000	>1000 ...2000	Tube_OD25.5xID21.4	
Ecart (mm)	± 0.05	± 0.1	± 0.15	± 0.2	± 0.3	± 0.5	SCALE: 2:1	
							SHEET 1 OF 1	A4